



ELETTROMANDRINI ATC
ATC ELECTROSPINDLE

**ADVANCED
MATERIALS**



PLASTIC



WOOD



ALLUMINIUM



HITECO
HIGH TECHNOLOGY COMPONENTS



Componenti ad **alta tecnologia** per produttori di macchine utensili.

--
High-tech components for machine tool manufacturers.

Hiteco è specializzata nella progettazione e realizzazione di componenti elettromeccanici industriali ad alta tecnologia per le macchine utensili.

Elettromandri ATC, elettromandri MTC, teste birotative, teste di foratura ed aggregati.

--
Hiteco is specialized in design and manufacture of high technology industrial electromechanical components for machine tools **ATC electrospindles, MTC electrospindles, birotary heads, boring units and aggregates.**



Hiteco si propone sul mercato internazionale con un'ampia gamma di prodotti per la lavorazione di: **legno, plastica, materiali avanzati, vetro, pietra e metallo.**

--
Hiteco offers a wide range of products on international market for **wood, plastic, advanced materials, glass, stone and metal processing.**



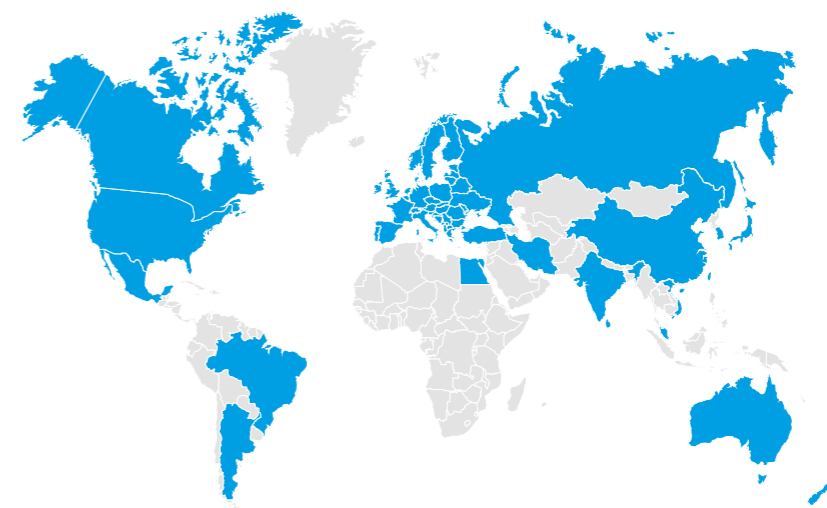
Hiteco nasce nel 1977 come divisione interna di **SCM Group**, azienda leader mondiale nella costruzione di macchine utensili per la lavorazione di una vasta gamma di materiali, realizzando un percorso di crescita esponenziale. Diventa nel 2008 un'unità di profitto per servire il mercato terzi. **Dal 1 Aprile 2023** nasce **Hiteco S.r.l.** con l'obiettivo di incrementare ulteriormente l'**attenzione** e la **focalizzazione** alle **esigenze** del cliente nella continua **ricerca** di fornire i migliori prodotti e servizi. Oggi realizza prodotti di riferimento nel mercato dei componenti, diventando uno tra i più importanti player mondiali nel settore.

--
Hiteco founded in 1977 as an internal division of the **SCM Group**, leading company in machine tools construction for processing a wide range of materials, had an increasingly exponential growth. In 2008 it become a profit unit for external customers. **From 1 April 2023 Hiteco S.r.l.** was born with the aim of further **increase the attention** and **focus** on customer **needs** and in the continuous **search** to provide the best products and services. Today Hiteco offers key products for the components market, becoming one of the most important world players in the sector.



Una **presenza worldwide** per un **servizio best-in-class.**

--
A worldwide presence for **best-in-class service.**



La distribuzione capillare dell'azienda risponde alla volontà di Hiteco di essere vicina al cliente con la presenza sul territorio di **tecnici specializzati** che sono garanzia di una risposta estremamente rapida e professionale: non solo per ridurre fermi macchina e problemi alla produzione, ma anche per creare valore aggiunto con la proposta di soluzioni efficaci ed innovative. Questa attenzione, oltre ai ridotti tempi di consegna, è uno dei motivi che ha portato Hiteco ad avere la più alta **customer satisfaction** nel mercato internazionale.

--
The widespread distribution of the company responds to the desire of Hiteco to be close to the customer with the presence of **specialized technicians** on the territory who guarantee an extremely rapid and professional response: not only to reduce machine downtimes and production problems, but also to create added value with the proposal of effective and innovative solutions. Such care, in addition to reduced delivery times, is one of the reason that led Hiteco to have the highest **customer satisfaction** on the international market.



	POWERTECH 210		POWERTECH 260		
SPECIFICHE TECNICHE / TECHNICAL SPECIFICATIONS	QD-1F 4/12 24	QD-2 6.5/12 36	QD-2 6.5/12 40	QD-2 8/12 36	QD-2 8/12 40
Potenza (S1-S6) Power (S1-S6)	4/4.5 kW	6.5/8 kW	6.5/8 kW	8/9 kW	8/9 kW
Assorbimento corrente (S1-S6) Current consumption (S1-S6)	9/10.7 A	20.5/23 A	20.5/23 A	24/26 A	24/26 A
Tensione Voltage	380 V	380 V	380 V	380 V	380 V
Coppia (S1-S6) Torque (S1-S6)	3.2/3.6 Nm	5.2/6.4 Nm	5.2/6.4 Nm	6.4/7.2 Nm	6.4/7.2 Nm
Tipologia elettromandrino Type of electrospindle	Asynchronous 4 Poles w/ inverter	Asynchronous 4 Poles w/ inverter	Asynchronous 4 Poles w/ inverter	Asynchronous 4 poles w/ inverter	Asynchronous 4 poles w/ inverter
Velocità nominale Rated speed	12.000 rpm	12.000 rpm	12.000 rpm	12.000 rpm	12.000 rpm
Velocità massima Max speed	24.000 rpm	36.000 rpm	40.000 rpm	36.000 rpm	40.000 rpm
Attacco utensile Tool holder	ISO 30	HSK 40E	HSK 32E	HSK 40E	HSK 32E
Raffreddamento Cooling	Electrofan	Liquid	Liquid	Liquid	Liquid
Cambio utensile Type of tool changer	Automatic	Automatic	Automatic	Automatic	Automatic
Lubrificazione cuscinetti Grease lubrication	Ceramic Grease lubrication	Ceramic Grease lubrication	Ceramic Grease lubrication	Ceramic Grease lubrication	Ceramic Grease lubrication
Peso Weight	16 Kg	17 Kg	17 Kg	17 Kg	17 Kg

CARATTERISTICHE

	POWERTECH 210	POWERTECH 260												
	QD-1F 4/12 24	QD-2 6.5/12 36	QD-2 6.5/12 40	QD-2 8/12 36	QD-2 8/12 40									
LAYOUT	LAYOUT HSK 63F CB L tot= 445,5 <table border="1"><thead><tr><th>ALTRI LAYOUT / OTHER LAYOUTS</th><th>ΔL mm</th><th>L tot mm</th></tr></thead><tbody><tr><td>Aria compressa / Compressed air</td><td>HSK 63F= -6,9</td><td>449,7</td></tr><tr><td></td><td>HSK 63F= -40,2</td><td>416,4</td></tr></tbody></table>	ALTRI LAYOUT / OTHER LAYOUTS	ΔL mm	L tot mm	Aria compressa / Compressed air	HSK 63F= -6,9	449,7		HSK 63F= -40,2	416,4	LAYOUT HSK40E / HSK32E CC L tot=375	LAYOUT HSK40E / HSK32E SC L tot=375		
ALTRI LAYOUT / OTHER LAYOUTS	ΔL mm	L tot mm												
Aria compressa / Compressed air	HSK 63F= -6,9	449,7												
	HSK 63F= -40,2	416,4												
VISTA FRONTALE ELETR. ELECTROS. FRONT VIEW														
EQUIPAGGIAMENTO EQUIPMENT	ISO 30, Double effect pneumatic cylinder, Taper cleaning, Labyrinth with air seal, Sensors s1, s2, s3, Ceramic ball bearings	Circular connector spindle side, Taper cleaning, Ceramic ball bearings, Sensors s1, s2, s3, s5, Labyrinth with air seal, Double effect pneumatic cylinder												
OPZIONALI OPTIONS	Circular connector CC, Dual voltage 220V-380V, Compressed air cooling, Quick connection PP, HSK 63F, Anti-rotation sleeves	Encoder, Voltage 220V, Dual voltage 220V-380V (@16000 rpm), Temperature, vibration and speed monitoring, Quick connection PP, Temperature sensor, Anti-rotation sleeves												

	POWERTECH 300 COMPACT			POWERTECH 300	
SPECIFICHE TECNICHE / TECHNICAL SPECIFICATIONS	QE-1F 4/12 24	QE-1F 5.5/12 24	QE-1F 6.6/12 24	QE-1F 8/12 24	QE-2 9,5/12 24 LIQUID
Potenza (S1-S6) Power (S1-S6)	4/5 kW	5.5/6.5 kW	6.6/7.5 kW	8/9.5 kW	9.8/11 kW
Assorbimento corrente (S1-S6) Current consumption (S1-S6)	8.5/10 A	11/13 A	14.5/16 A	18.5/20.5 A	20.5/23 A
Tensione Voltage	380 V	380 V	380 V	380 V	380 V
Coppia (S1-S6) Torque (S1-S6)	3.2/4 Nm	4.3/5.2 Nm	5.3/5.9 Nm	6.4/7.6 Nm	7.6/8.8 Nm
Tipologia elettromandrino Type of electrospindle	Asynchronous 2 Poles w/ inverter	Asynchronous 4 Pole w/ inverter	Asynchronous 4 Poles w/ inverter	Asynchronous 4 Poles w/ inverter	Asynchronous 4 Poles w/ inverter
Velocità nominale Rated speed	12.000 rpm	12.000 rpm	12.000 rpm	12.000 rpm	12.000 rpm
Velocità massima Max speed	24.000 rpm	24.000 rpm	24.000 rpm	24.000 rpm	24.000 rpm
Attacco utensile Tool holder	ISO 30	ISO 30	HSK 63F	HSK 63F	ISO 30
Raffreddamento Cooling	Electrofan	Electrofan	Electrofan	Electrofan	Liquid
Cambio utensile Type of tool changer	Automatic	Automatic	Automatic	Automatic	Automatic
Lubrificazione cuscinetti Grease lubrication	Ceramic Grease lubrication	Ceramic Grease lubrication	Ceramic Grease lubrication	Ceramic Grease lubrication	Ceramic Grease lubrication
Peso Weight	19 Kg	19 Kg	21 Kg	23 Kg	21 Kg

CARATTERISTICHE

	POWERTECH 300 COMPACT	POWERTECH 300																																										
	QE-1F 4/12 24	QE-1F 5.5/12 24	QE-1F 6.6/12 24	QE-1F 8/12 24	QE-2 9,5/12 24 LIQUID																																							
LAYOUT	LAYOUT ISO 30 CB L tot= 393 <table border="1"><thead><tr><th>ALTRI LAYOUT / OTHER LAYOUTS</th><th>ΔL mm</th><th>L tot mm</th></tr></thead><tbody><tr><td>Aria compressa / Compressed air</td><td>ISO 30= -44</td><td>349</td></tr><tr><td></td><td>HSK 63F= -44mm</td><td>34</td></tr></tbody></table>	ALTRI LAYOUT / OTHER LAYOUTS	ΔL mm	L tot mm	Aria compressa / Compressed air	ISO 30= -44	349		HSK 63F= -44mm	34	LAYOUT HSK 63F CB L tot= 482,5 <table border="1"><thead><tr><th>ALTRI LAYOUT / OTHER LAYOUTS</th><th>ΔL mm</th><th>L tot mm</th></tr></thead><tbody><tr><td>ISO 30</td><td>+6,9</td><td>489,4</td></tr><tr><td>Aria compressa / Compressed air</td><td>ISO30= -44</td><td>438,5</td></tr><tr><td></td><td>HSK 63F= -44</td><td>438,5</td></tr><tr><td>Encoder (1 V pp or TTL)</td><td>+7</td><td>489,5</td></tr><tr><td>Doppia tensione / Dual voltage</td><td>+31</td><td>513,5</td></tr></tbody></table>	ALTRI LAYOUT / OTHER LAYOUTS	ΔL mm	L tot mm	ISO 30	+6,9	489,4	Aria compressa / Compressed air	ISO30= -44	438,5		HSK 63F= -44	438,5	Encoder (1 V pp or TTL)	+7	489,5	Doppia tensione / Dual voltage	+31	513,5	LAYOUT ISO 30 PP L tot= 432,5 <table border="1"><thead><tr><th>ALTRI LAYOUT / OTHER LAYOUTS</th><th>ΔL mm</th><th>L tot mm</th></tr></thead><tbody><tr><td>Encoder (1 V pp or TTL)</td><td>ISO30= +7</td><td>439,5</td></tr><tr><td></td><td>HSK 63F= +7</td><td>432,5</td></tr><tr><td>HSK 63F</td><td>0</td><td>432,5</td></tr></tbody></table>	ALTRI LAYOUT / OTHER LAYOUTS	ΔL mm	L tot mm	Encoder (1 V pp or TTL)	ISO30= +7	439,5		HSK 63F= +7	432,5	HSK 63F	0	432,5		
ALTRI LAYOUT / OTHER LAYOUTS	ΔL mm	L tot mm																																										
Aria compressa / Compressed air	ISO 30= -44	349																																										
	HSK 63F= -44mm	34																																										
ALTRI LAYOUT / OTHER LAYOUTS	ΔL mm	L tot mm																																										
ISO 30	+6,9	489,4																																										
Aria compressa / Compressed air	ISO30= -44	438,5																																										
	HSK 63F= -44	438,5																																										
Encoder (1 V pp or TTL)	+7	489,5																																										
Doppia tensione / Dual voltage	+31	513,5																																										
ALTRI LAYOUT / OTHER LAYOUTS	ΔL mm	L tot mm																																										
Encoder (1 V pp or TTL)	ISO30= +7	439,5																																										
	HSK 63F= +7	432,5																																										
HSK 63F	0	432,5																																										
VISTA FRONTALE ELETR. ELECTROS. FRONT VIEW																																												
EQUIPAGGIAMENTO EQUIPMENT	ISO 30, Single effect pneumatic cylinder, Taper cleaning, Labyrinth with air seal, Sensors s1, s2, s3, s5, Ceramic ball bearings		HSK 63F, Labyrinth with air seal, Sensors s1, s2, s3, s5, Taper cleaning, Double effect pneumatic cylinder, Ceramic ball bearings																																									
OPZIONALI OPTIONS	Encoder, Compressed air cooling, HSK 63F, Anti-rotation sleeves, Circular connector CC, Long nose (L=73 mm), Temperature, vibration and speed monitoring		Encoder, ISO 30, Anti-rotation sleeves, Long nose (L=145 mm), Air tool for HSK 63F, Temperature, vibration and speed monitoring, BT 30, Circular connector CC, Dual voltage 220V-380V, C-axis available, Compressed air cooling, Quick connection PP		* Solo per versione a liquido * Only for liquid version																																							



POWERTECH 400 SPEED

SPECIFICHE TECNICHE / TECHNICAL SPECIFICATIONS	QE-1F 10/11 24	QE-1F 12/12 24	QE-2 13/12 24	QE-2 16/12 24
Potenza (S1-S6) Power (S1-S6)	10/12 kW	12/14 kW	13/15 kW	16/19.5 kW
Assorbimento corrente (S1-S6) Current consumption (S1-S6)	25/27 A	23/27 A	28/31 A	31/36 A
Tensione Voltage	380 V	380 V	380 V	380 V
Coppia (S1-S6) Torque (S1-S6)	10.8/11.5 Nm	10.9/11.6 Nm	10.3/11.9 Nm	12.7/15.5 Nm
Tipologia elettromandrino Type of electrospindle	Asynchronous 4 Poles w/inverter	Asynchronous 4 Poles w/inverter	Asynchronous 4 Poles w/inverter	Asynchronous 4 Poles w/inverter
Velocità nominale Rated speed	11.000 rpm	12.000 rpm	12.000 rpm	12.000 rpm
Velocità massima Max speed	24.000 rpm	24.000 rpm	24.000 rpm	24.000 rpm
Attacco utensile Tool holder	HSK 63F	HSK 63F	HSK 63F	HSK 63F
Raffreddamento Cooling	Electrofan	Electrofan	Liquid	Liquid
Cambio utensile Type of tool changer	Automatic	Automatic	Automatic	Automatic
Lubrificazione cuscinetti Grease lubrication	Ceramic Grease lubrication	Ceramic Grease lubrication	Ceramic Grease lubrication	Ceramic Grease lubrication
Peso Weight	23 Kg	23 Kg	23 Kg	23 Kg

CARATTERISTICHE

POWERTECH 400 SPEED

	QE-1F 10/11 24	QE-1F 12/12 24	QE-2 13/12 24	QE-2 16/12 24																											
LAYOUT	<p>LAYOUT HSK 63F CB</p> <table border="1"> <thead> <tr> <th>ALTRI LAYOUT / OTHER LAYOUTS</th> <th>ΔL mm</th> <th>L_tot mm</th> </tr> </thead> <tbody> <tr> <td>ISO 30</td> <td>+6,9</td> <td>520,6</td> </tr> <tr> <td>Aria compressa / Compressed air</td> <td>ISO30= -44</td> <td>469,5</td> </tr> <tr> <td></td> <td>HSK 63F= -44</td> <td>469,5</td> </tr> <tr> <td>Encoder (1 V pp or TTL)</td> <td>+7</td> <td>520,5</td> </tr> <tr> <td></td> <td>+7</td> <td>470,5</td> </tr> </tbody> </table>		ALTRI LAYOUT / OTHER LAYOUTS	ΔL mm	L_tot mm	ISO 30	+6,9	520,6	Aria compressa / Compressed air	ISO30= -44	469,5		HSK 63F= -44	469,5	Encoder (1 V pp or TTL)	+7	520,5		+7	470,5	<p>LAYOUT HSK 63F CB</p> <table border="1"> <thead> <tr> <th>ALTRI LAYOUT / OTHER LAYOUTS</th> <th>ΔL mm</th> <th>L_tot mm</th> </tr> </thead> <tbody> <tr> <td>Encoder (1 V pp or TTL)</td> <td>+7</td> <td>470,5</td> </tr> <tr> <td>ISO 30</td> <td>+7</td> <td>470,5</td> </tr> </tbody> </table>		ALTRI LAYOUT / OTHER LAYOUTS	ΔL mm	L_tot mm	Encoder (1 V pp or TTL)	+7	470,5	ISO 30	+7	470,5
ALTRI LAYOUT / OTHER LAYOUTS	ΔL mm	L_tot mm																													
ISO 30	+6,9	520,6																													
Aria compressa / Compressed air	ISO30= -44	469,5																													
	HSK 63F= -44	469,5																													
Encoder (1 V pp or TTL)	+7	520,5																													
	+7	470,5																													
ALTRI LAYOUT / OTHER LAYOUTS	ΔL mm	L_tot mm																													
Encoder (1 V pp or TTL)	+7	470,5																													
ISO 30	+7	470,5																													
VISTA FRONTALE ELETTRO. ELECTROS. FRONT VIEW																															
EQUIPAGGIAMENTO EQUIPMENT	<ul style="list-style-type: none"> HSK 63F Sensors s1, s2, s3, s5 Taper cleaning Labyrinth with air seal Double effect pneumatic cylinder Ceramic ball bearings 																														
OPZIONALI OPTIONS	<ul style="list-style-type: none"> Encoder ISO 30 Dual voltage 220V-380V Temperature, vibration and speed monitoring Long nose (L=145 mm) Quick connection PP Circular connector CC Anti-rotation sleeves C-axis available Compressed air cooling Air tool for HSK 63F 																														

* Non valido per 12 kW e 16 kW
* Not valid for 12 kW and 16 kW

POWERTECH 400 TORQUE

SPECIFICHE TECNICHE / TECHNICAL SPECIFICATIONS	QE-1F 5.5/6 20	QE-1F 8.5/6 24	QE-2 9/6 24	QE-2 11/6 24
Potenza (S1-S6) Power (S1-S6)	5.5/6.6 kW	8.5/10.5 kW	9/10.5 kW	11/13 kW
Assorbimento corrente (S1-S6) Current consumption (S1-S6)	12/13 A	20/25 A	13.5/14.5 A	14.5/16 A
Tensione Voltage	380 V	380 V	380 V	380 V
Coppia (S1-S6) Torque (S1-S6)	8.8/10.5 Nm	13.5/16.7 Nm	14.3/16.7 Nm	17.5/20.7 Nm
Tipologia elettromandrino Type of electrospindle	Asynchronous 4 Poles w/inverter	Asynchronous 4 Poles w/inverter	Asynchronous 4 Poles w/inverter	Asynchronous 4 Poles w/inverter
Velocità nominale Rated speed	6.000 rpm	6.000 rpm	6.000 rpm	6.000 rpm
Velocità massima Max speed	20.000 rpm	24.000 rpm	24.000 rpm	24.000 rpm
Attacco utensile Tool holder	HSK 63F	HSK 63F	HSK 63F	HSK 63F
Raffreddamento Cooling	Electrofan	Electrofan	Liquid	Liquid
Cambio utensile Type of tool changer	Automatic	Automatic	Automatic	Automatic
Lubrificazione cuscinetti Grease lubrication	Ceramic Grease lubrication	Ceramic Grease lubrication	Ceramic Grease lubrication	Ceramic Grease lubrication
Peso Weight	23 Kg	23 Kg	21 Kg	21 Kg

CARATTERISTICHE

POWERTECH 400 TORQUE

	QE-1F 5.5/6 20	QE-1F 8.5/6 24	QE-2 9/6 24	QE-2 11/6 24																											
LAYOUT	<p>LAYOUT HSK 63F CB</p> <table border="1"> <thead> <tr> <th>ALTRI LAYOUT / OTHER LAYOUTS</th> <th>ΔL mm</th> <th>L_tot mm</th> </tr> </thead> <tbody> <tr> <td>ISO 30</td> <td>+6,9</td> <td>520,6</td> </tr> <tr> <td>Aria compressa / Compressed air</td> <td>ISO30= -44</td> <td>469,5</td> </tr> <tr> <td></td> <td>HSK 63F= -44</td> <td>469,5</td> </tr> <tr> <td>Encoder (1 V pp or TTL)</td> <td>+7</td> <td>520,5</td> </tr> <tr> <td></td> <td>+7</td> <td>470,5</td> </tr> </tbody> </table>		ALTRI LAYOUT / OTHER LAYOUTS	ΔL mm	L_tot mm	ISO 30	+6,9	520,6	Aria compressa / Compressed air	ISO30= -44	469,5		HSK 63F= -44	469,5	Encoder (1 V pp or TTL)	+7	520,5		+7	470,5	<p>LAYOUT HSK 63F CB</p> <table border="1"> <thead> <tr> <th>ALTRI LAYOUT / OTHER LAYOUTS</th> <th>ΔL mm</th> <th>L_tot mm</th> </tr> </thead> <tbody> <tr> <td>Encoder (1 V pp or TTL)</td> <td>+7</td> <td>470,5</td> </tr> <tr> <td>ISO 30</td> <td>+7</td> <td>470,5</td> </tr> </tbody> </table>		ALTRI LAYOUT / OTHER LAYOUTS	ΔL mm	L_tot mm	Encoder (1 V pp or TTL)	+7	470,5	ISO 30	+7	470,5
ALTRI LAYOUT / OTHER LAYOUTS	ΔL mm	L_tot mm																													
ISO 30	+6,9	520,6																													
Aria compressa / Compressed air	ISO30= -44	469,5																													
	HSK 63F= -44	469,5																													
Encoder (1 V pp or TTL)	+7	520,5																													
	+7	470,5																													
ALTRI LAYOUT / OTHER LAYOUTS	ΔL mm	L_tot mm																													
Encoder (1 V pp or TTL)	+7	470,5																													
ISO 30	+7	470,5																													
VISTA FRONTALE ELETTRO. ELECTROS. FRONT VIEW																															
EQUIPAGGIAMENTO EQUIPMENT	<ul style="list-style-type: none"> HSK 63F Sensors s1, s2, s3, s5 Taper cleaning Labyrinth with air seal Double effect pneumatic cylinder Ceramic ball bearings 																														
OPZIONALI OPTIONS	<ul style="list-style-type: none"> Encoder ISO 30 Temperature, vibration and speed monitoring Long nose Quick connection PP Circular connector CC Anti-rotation sleeves C-axis available Compressed air cooling Air tool for HSK 63F 																														

* Non valido per 8,5 kW
* Not valid for 8,5 kW



POWERTECH 500

SPECIFICHE TECNICHE / TECHNICAL SPECIFICATIONS	QF-1F 13/7 18	QF-1F 8/9 18	QF-1F 11/12 20	QF-2 12/6 18	QF-2 18/12 20
Potenza (S1-S6) Power (S1-S6)	13.3/16 kW	8/10 kW	11/13.5 kW	12/15 kW	18/21 kW
Assorbimento corrente (S1-S6) Current consumption (S1-S6)	20.5/23 A	20/24 A	28/32 A	28/35 A	36/41 A
Tensione Voltage	380 V	380 V	380 V	380 V	380 V
Coppia (S1-S6) Torque (S1-S6)	16.9/20.4 Nm	11.9/14.6 Nm	8.8/10.7 Nm	19.1/23.9 Nm	14.3/16.7 Nm
Tipologia elettromandrino Type of electrospindle	Asynchronous 4 Poles w/inverter	Asynchronous 4 Poles w/inverter	Asynchronous 4 Poles w/inverter	Asynchronous 4 Poles w/inverter	Asynchronous 4 poles w/inverter
Velocità nominale Rated speed	7.000 rpm	9.000 rpm	12.000 rpm	6.000 rpm	12.000 rpm
Velocità massima Max speed	18.000 rpm	18.000 rpm	20.000 rpm	18.000 rpm	20.000 rpm
Attacco utensile Tool holder	HSK 63F	HSK 63F	HSK 63F	HSK 63F	HSK 63F
Raffreddamento Cooling	Electrofan	Electrofan	Electrofan	Liquid	Liquid
Cambio utensile Type of tool changer	Automatic	Automatic	Automatic	Automatic	Automatic
Lubrificazione cuscinetti Grease lubrication	Ceramic Grease lubrication	Ceramic Grease lubrication	Ceramic Grease lubrication	Ceramic Grease lubrication	Ceramic Grease lubrication
Peso Weight	35 Kg	35 Kg	35 Kg	35 Kg	35 Kg

CARATTERISTICHE

POWERTECH 500

	QF-1F 13/7 18	QF-1F 8/9 18	QF-1F 11/12 20	QF-2 12/6 18	QF-2 18/12 20												
LAYOUT	<p>LAYOUT HSK 63F PP</p>			<p>LAYOUT HSK 63F PP</p>													
	<table border="1"> <thead> <tr> <th>ALTRI LAYOUT / OTHER LAYOUTS</th> <th>ΔL mm</th> <th>L tot mm</th> </tr> </thead> <tbody> <tr> <td>HSK 63E</td> <td>+21</td> <td>547,5</td> </tr> </tbody> </table>			ALTRI LAYOUT / OTHER LAYOUTS	ΔL mm	L tot mm	HSK 63E	+21	547,5	<table border="1"> <thead> <tr> <th>ALTRI LAYOUT / OTHER LAYOUTS</th> <th>ΔL mm</th> <th>L tot mm</th> </tr> </thead> <tbody> <tr> <td>HSK 63E</td> <td>+21</td> <td>547,5</td> </tr> </tbody> </table>		ALTRI LAYOUT / OTHER LAYOUTS	ΔL mm	L tot mm	HSK 63E	+21	547,5
ALTRI LAYOUT / OTHER LAYOUTS	ΔL mm	L tot mm															
HSK 63E	+21	547,5															
ALTRI LAYOUT / OTHER LAYOUTS	ΔL mm	L tot mm															
HSK 63E	+21	547,5															
VISTA FRONTALE ELETT. / ELECTROS. FRONT VIEW																	
EQUIPAGGIAMENTO / EQUIPMENT	<ul style="list-style-type: none"> HSK 63F Sensors s1, s2, s3 Taper cleaning Labyrinth with air seal Double effect pneumatic cylinder Ceramic ball bearings Circular connector CC 																
OPZIONALI / OPTIONS	<ul style="list-style-type: none"> HSK 63E Plug & Play Quick connection PP Temperature, vibration and speed monitoring 																

POWERTECH 600

SPECIFICHE TECNICHE / TECHNICAL SPECIFICATIONS	QM-1F 11/6 10	QM-1F 18/6 12
Potenza (S1-S6) Power (S1-S6)	11/13 kW	18/21 kW
Assorbimento corrente (S1-S6) Current consumption (S1-S6)	25/33 A	37/42 A
Tensione Voltage	380 V	380 V
Coppia (S1-S6) Torque (S1-S6)	19.1/24.6 Nm	30/33.6 Nm
Tipologia elettromandrino Type of electrospindle	Asynchronous 4 Poles w/inverter	Asynchronous 4 Poles w/inverter
Velocità nominale Rated speed	6.000 rpm	6.000 rpm
Velocità massima Max speed	10.000 rpm	12.000 rpm
Attacco utensile Tool holder	HSK 80F	HSK 80F
Raffreddamento Cooling	Electrofan	Electrofan
Cambio utensile Type of tool changer	Automatic	Automatic
Lubrificazione cuscinetti Grease lubrication	Ceramic Grease lubrication	Ceramic Grease lubrication
Peso Weight	70 Kg	70 Kg

CARATTERISTICHE

POWERTECH 600

	QM-1F 11/6 10	QM-1F 18/6 12
LAYOUT	<p>LAYOUT HSK 80F PP</p>	
VISTA FRONTALE ELETT. / ELECTROS. FRONT VIEW		
EQUIPAGGIAMENTO / EQUIPMENT	<ul style="list-style-type: none"> HSK 80F Sensors s1, s2, s3 Taper cleaning Labyrinth with air seal Single effect pneumatic cylinder Circular connector CC 	
OPZIONALI / OPTIONS	<ul style="list-style-type: none"> HSK 85S Plug & Play Quick connection PP Temperature, vibration and speed monitoring 	

POWERTECH 210



POWERTECH 260



POWERTECH 300 COMPACT



POWERTECH 300



POWERTECH 400



POWERTECH 500



POWERTECH 600





	ROBOTECH HD	ROBOTECH QX			
SPECIFICHE TECNICHE / TECHNICAL SPECIFICATIONS	HD-2 5.6/18 20	QX-1C 5/12 21	QX-2 11/12 24	QX-2 11/12 24	QX-2 11/10 24 63F NC
Potenza (S1-S6) Power (S1-S6)	5.6/7 kW	5/7 kW	11/13.5 kW	8.5/10 kW	11/12 kW
Assorbimento corrente (S1-S6) Current consumption (S1-S6)	12/14 A	11/13.5 A	24.5/29.5 A	20/22 A	29/31 A
Tensione Voltage	380 V	380 V	380 V	380 V	380 V
Coppia (S1-S6) Torque (S1-S6)	3/3.7 Nm	4/5.6 Nm	8.8/10.7 Nm	6.8/8 Nm	10.5/11.7 Nm
Tipologia elettromandrino Type of electrospindle	Asynchronous 4 poles	Asynchronous 4 poles w/inverter	Asynchronous 4 poles w/inverter	Asynchronous 4 poles w/inverter	Asynchronous 6 poles w/inverter
Velocità nominale Rated speed	18.000 rpm	12.000 rpm	12.000 rpm	12.000 rpm	10.000 rpm
Velocità massima Max speed	20.000 rpm	21.000 rpm	24.000 rpm	24.000 rpm	24.000 rpm
Attacco utensile Tool holder	HSK 50F/40E	HSK 63F	HSK 63F	HSK 63F	HSK 63F
Raffreddamento Cooling	Liquid	Compressed air	Liquid	Liquid	Liquid
Cambio utensile Type of tool changer	Automatic	Automatic	Automatic	Automatic	Automatic
Lubrificazione cuscinetti Grease lubrication	Ceramic Grease lubrication	Ceramic Grease lubrication	Ceramic Grease lubrication	Ceramic Grease lubrication	Ceramic Grease lubrication
Peso Weight	18 Kg	19 Kg	19 Kg	19 Kg	19 Kg

CARATTERISTICHE

	ROBOTECH HD	ROBOTECH QX									
	HD-2 5.6/18 20	QX-1C 5/12 21	QX-2 11/12 24	QX-2 11/12 24	QX-2 11/10 24 63F NC						
LAYOUT	<p>LAYOUT HSK 50F L tot= 238</p>	<p>LAYOUT HSK 63F L tot= 270</p> <table border="1"> <tr> <th>ALTRI LAYOUT / OTHER LAYOUTS</th> <th>ΔL mm</th> <th>L tot mm</th> </tr> <tr> <td>Encoder (1 Vpp or TTL)</td> <td>+25</td> <td>295</td> </tr> </table>				ALTRI LAYOUT / OTHER LAYOUTS	ΔL mm	L tot mm	Encoder (1 Vpp or TTL)	+25	295
ALTRI LAYOUT / OTHER LAYOUTS	ΔL mm	L tot mm									
Encoder (1 Vpp or TTL)	+25	295									
VISTA FRONTALE ELETTRO. FRONT VIEW											
EQUIPAGGIAMENTO EQUIPMENT	<ul style="list-style-type: none"> HSK 50F Sensors s1, s2, s3, s5 Taper cleaning Labyrinth with air seal Single effect pneumatic cylinder Anti-rotation sleeves 	<ul style="list-style-type: none"> HSK 63F Sensors s1, s2, s3, s5 Taper cleaning Single effect pneumatic cylinder Labyrinth with air seal 									
OPZIONALI OPTIONS	<ul style="list-style-type: none"> Encoder HSK 40E 	<ul style="list-style-type: none"> Encoder Anti-rotation sleeves Temperature, vibration and speed monitoring 		<ul style="list-style-type: none"> Encoder Anti-rotation sleeves Temperature, vibration and speed monitoring 							

	ROBOTECH QX HIGH SPEED	
SPECIFICHE TECNICHE / TECHNICAL SPECIFICATIONS	QX-2 8/15 36	QX-2 8/15 40
Potenza (S1-S6) Power (S1-S6)	8/9 kW	8/9 kW
Assorbimento corrente (S1-S6) Current consumption (S1-S6)	23/25 A	23/25 A
Tensione Voltage	380 V	380 V
Coppia (S1-S6) Torque (S1-S6)	5.2/6 Nm	5.2/6 Nm
Tipologia elettromandrino Type of electrospindle	Asynchronous 4 Poles w/inverter	Asynchronous 4 Poles w/inverter
Velocità nominale Rated speed	15.000 rpm	15.000 rpm
Velocità massima Max speed	36.000 rpm	40.000 rpm
Attacco utensile Tool holder	HSK 40E	HSK 32E
Raffreddamento Cooling	Liquid	Liquid
Cambio utensile Type of tool changer	Automatic	Automatic
Lubrificazione cuscinetti Grease lubrication	Ceramic Grease lubrication	Ceramic Grease lubrication
Peso Weight	18 Kg	18 Kg

CARATTERISTICHE

	ROBOTECH QX HIGH SPEED							
	QX-2 8/15 36	QX-2 8/15 40						
LAYOUT	<p>LAYOUT HSK 32E / HSK 40E L tot= 270</p> <table border="1"> <tr> <th>ALTRI LAYOUT / OTHER LAYOUTS</th> <th>ΔL mm</th> <th>L tot mm</th> </tr> <tr> <td>Encoder (1 Vpp or TTL)</td> <td>+25</td> <td>295</td> </tr> </table>		ALTRI LAYOUT / OTHER LAYOUTS	ΔL mm	L tot mm	Encoder (1 Vpp or TTL)	+25	295
ALTRI LAYOUT / OTHER LAYOUTS	ΔL mm	L tot mm						
Encoder (1 Vpp or TTL)	+25	295						
VISTA FRONTALE ELETTRO. FRONT VIEW								
EQUIPAGGIAMENTO EQUIPMENT	<ul style="list-style-type: none"> HSK 32E / HSK 40E Labyrinth with air seal Sensors s1, s2, s3, s5 Taper cleaning Single effect pneumatic cylinder Ceramic ball bearings 							
OPZIONALI OPTIONS	<ul style="list-style-type: none"> Encoder Anti-rotation sleeves Temperature, vibration and speed monitoring 							



ROBOTECH PX/HX/HX 3C				
SPECIFICHE TECNICHE / TECHNICAL SPECIFICATIONS	10/7 24	12/12 24	13/7 24	15/12 24
Potenza (S1-S6) Power (S1-S6)	10/12 kW	12/14 kW	13/16 kW	15/17 kW
Assorbimento corrente (S1-S6) Current consumption (S1-S6)	21/25 A	26/29 A	35/39 A	30/33 A
Tensione Voltage	380 V	380 V	380 V	380 V
Coppia (S1-S6) Torque (S1-S6)	13.6/16.4 Nm	9.5/11 Nm	17/19 Nm	11.9/13.8 Nm
Tipologia elettromandrino Type of electrospindle	Asynchronous 4 poles	Asynchronous 4 poles	Asynchronous 6 Poles	Asynchronous 4 Poles
Velocità nominale Rated speed	7.000 rpm	12.000 rpm	7.000 rpm	12.000 rpm
Velocità massima Max speed	24.000 rpm	24.000 rpm	24.000 rpm	24.000 rpm
Attacco utensile Tool holder	HSK 63F	HSK 63F	HSK 63F	HSK 63F
Raffreddamento Cooling	Liquid	Liquid	Liquid	Liquid
Cambio utensile Type of tool changer	Automatic	Automatic	Automatic	Automatic
Lubrificazione cuscinetti Grease lubrication	Ceramic Grease lubrication	Ceramic Grease lubrication	Ceramic Grease lubrication	Ceramic Grease lubrication
Peso Weight	25 Kg	25 Kg	25 Kg	25 Kg

CARATTERISTICHE

ROBOTECH PX/HX/HX 3C				
	10/7 24	12/12 24	13/7 24	15/12 24
LAYOUT	LAYOUT PX NC/NL 	LAYOUT HX NC/NL 	LAYOUT PX NC/NL 	LAYOUT HX 3C NC/NL
VISTA FRONTALE ELETTRO. FRONT VIEW				
EQUIPAGGIAMENTO EQUIPMENT	HSK 63F Labyrinth with air seal Sensors s1, s2, s3, s5 Taper cleaning Single effect pneumatic cylinder Ceramic ball bearings Circular connector cc (only for 3c version)			
OPZIONALI OPTIONS	Encoder Long nose (L=113 mm) HSK 63E/63A Rotary union CTS/MQL/Air Tool Anti-rotation sleeves HSK plus Temperature, vibration and speed monitoring			

ROBOTECH PX/HX/HX 3C			
SPECIFICHE TECNICHE / TECHNICAL SPECIFICATIONS	18/12 24	20/10 24 (SYNCHRONOUS)	24/10 24 (SYNCHRONOUS)
Potenza (S1-S6) Power (S1-S6)	18/20 kW	20/22.3 kW	24/30 kW
Assorbimento corrente (S1-S6) Current consumption (S1-S6)	35/38.5 A	48/50A	56/70 A
Tensione Voltage	380 V	380 V	400 V
Coppia (S1-S6) Torque (S1-S6)	14.3/15.9 Nm	17.8/20.1 Nm	23.4/29 Nm
Tipologia elettromandrino Type of electrospindle	Asynchronous 4 poles	Synchronous 4 Poles	Synchronous 6 Poles
Velocità nominale Rated speed	12.000 rpm	10.000 rpm	10.000 rpm
Velocità massima Max speed	24.000 rpm	24.000 rpm	24.000 rpm
Attacco utensile Tool holder	HSK 63F	HSK 63F	HSK 63F
Raffreddamento Cooling	Liquid	Liquid	Liquid
Cambio utensile Type of tool changer	Automatic	Automatic	Automatic
Lubrificazione cuscinetti Grease lubrication	Ceramic Grease lubrication	Ceramic Grease lubrication	Ceramic Grease lubrication
Peso Weight	25 Kg	25 Kg	26 Kg

CARATTERISTICHE

ROBOTECH PX/HX/HX 3C			
	18/12 24	20/10 24 (SYNCHRONOUS)	24/10 24 (SYNCHRONOUS)
LAYOUT	LAYOUT PX NC/NL 	LAYOUT HX NC/NL 	LAYOUT HX 3C NC/NL
VISTA FRONTALE ELETTRO. FRONT VIEW			
EQUIPAGGIAMENTO EQUIPMENT	HSK 63F Labyrinth with air seal Sensors s1, s2, s3, s5 Taper cleaning Single effect pneumatic cylinder Ceramic ball bearings Circular connector cc (only for 3c version)		
OPZIONALI OPTIONS	Encoder Long nose (L=113 mm) Circular connector cc machine side HSK 63E/63A Rotary union CTS/MQL/Air Tool Anti-rotation sleeves HSK plus Temperature, vibration and speed monitoring		

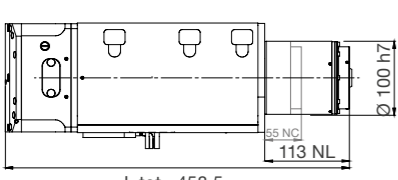
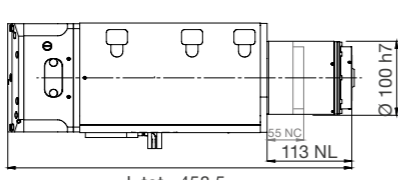
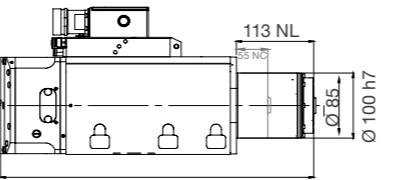
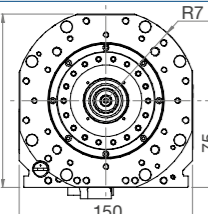
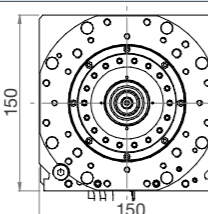
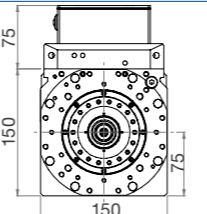


ROBOTECH PT/HT/HT 3C

SPECIFICHE TECNICHE / TECHNICAL SPECIFICATIONS	18/6 18 NC	18/6 24 NL	25/10 18 NC	25/10 24 NL
Potenza (S1-S6) Power (S1-S6)	18/21.5 kW	18/21,5 kW	25/30 kW	25/30 kW
Assorbimento corrente (S1-S6) Current consumption (S1-S6)	53/63 A	53/63 A	53/60 A	53/63 A
Tensione Voltage	380 V	380 V	380 V	380 V
Coppia (S1-S6) Torque (S1-S6)	30/34 Nm	30/34 Nm	24.2/26.6 Nm	23.9/28.7 Nm
Tipologia elettromandrino Type of electrospindle	Asynchronous 6 poles	Asynchronous 6 Poles	Asynchronous 4 Poles	Asynchronous 4 Poles
Velocità nominale Rated speed	6.000 rpm	6.000 rpm	10.000 rpm	10.000 rpm
Velocità massima Max speed	18.000 rpm	24.000 rpm	18.000 rpm	24.000 rpm
Attacco utensile Tool holder	HSK 63F+	HSK 63F+	HSK 63F+	HSK 63F+
Raffreddamento Cooling	Liquid	Liquid	Liquid	Liquid
Cambio utensile Type of tool changer	Automatic	Automatic	Automatic	Automatic
Lubrificazione cuscinetti Grease lubrication	Ceramic Grease lubrication	Ceramic Grease lubrication	Ceramic Grease lubrication	Ceramic Grease lubrication
Peso Weight	44 Kg	42 Kg	44 Kg	42 Kg

CARATTERISTICHE

ROBOTECH PT/HT/HT 3C

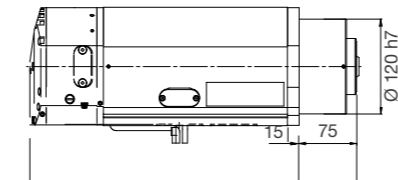
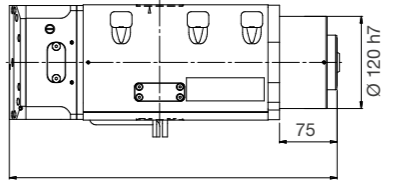
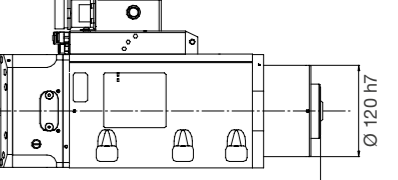
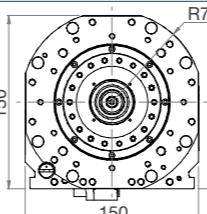
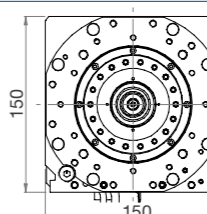
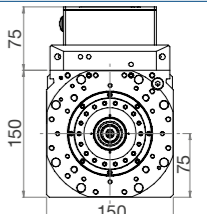
	18/6 18 NC	18/6 24 NL	25/10 18 NC	25/10 24 NL
LAYOUT	LAYOUT HT NC  L tot= 458,5	LAYOUT HT NL  L tot= 458,5	LAYOUT HT 3C NL  Ltot=458,5	
VISTA FRONTALE ELETT. / ELECTROS. FRONT VIEW				
EQUIPAGGIAMENTO EQUIPMENT	HSK 63F PLUS Labyrinth with air seal Sensors s1, s2, s3, s5 Taper cleaning Single effect pneumatic cylinder Ceramic ball bearings Short/long nose Circular connector cc (only for 3C version)			
OPZIONALI OPTIONS	Encoder Rotary union CTS/MQL/Air Tool Anti-rotation sleeves HSK 63E PLUS HSK 63A PLUS Temperature, vibration and speed monitoring			

ROBOTECH PT/HT/HT 3C HEAVY NOSE

SPECIFICHE TECNICHE / TECHNICAL SPECIFICATIONS	18/6 18 NH	25/10 18 NH	25/4 16 NH
Potenza (S1-S6) Power (S1-S6)	18/21.5 kW	25/30 kW	25/30 kW
Assorbimento corrente (S1-S6) Current consumption (S1-S6)	53/63 A	53/60 A	54/74 A
Tensione Voltage	380 V	380 V	380 V
Coppia (S1-S6) Torque (S1-S6)	30/34 Nm	24.2/26.6 Nm	56.6/70.7 Nm
Tipologia elettromandrino Type of electrospindle	Asynchronous 6 poles	Asynchronous 4 Poles	Synchronous 8 Poles
Velocità nominale Rated speed	6.000 rpm	10.000 rpm	4.000 rpm
Velocità massima Max speed	18.000 rpm	18.000 rpm	16.000 rpm
Attacco utensile Tool holder	HSK 63F+	HSK 63F+	HSK63F+
Raffreddamento Cooling	Liquid	Liquid	Liquid
Cambio utensile Type of tool changer	Automatic	Automatic	Automatic
Lubrificazione cuscinetti Grease lubrication	Ceramic Grease lubrication	Ceramic Grease lubrication	Ceramic Grease long life
Peso Weight	44 Kg	44 Kg	44 Kg

CARATTERISTICHE

ROBOTECH PT/HT/HT 3C HEAVY NOSE

	18/6 18 NH	25/10 18 NH	25/4 16 NH
LAYOUT	LAYOUT PT NH  L tot=426,5	LAYOUT HT NH  L tot=426,5	LAYOUT HT 3C NH  L tot=426,5
VISTA FRONTALE ELETT. / ELECTROS. FRONT VIEW			
EQUIPAGGIAMENTO EQUIPMENT	HSK 63F PLUS Labyrinth with air seal Sensors s1, s2, s3, s5 Taper cleaning Single effect pneumatic cylinder Heavy nose (NH) Circular connector		
OPZIONALI OPTIONS	Encoder Rotary union CTS/MQL/Air Tool Anti-rotation sleeves HSK 63E PLUS HSK 63A PLUS Temperature, vibration and speed monitoring		



	ROBOTECH QM	ROBOTECH QM 3C
SPECIFICHE TECNICHE / TECHNICAL SPECIFICATIONS	QM-2 30/6 13	QM-2 30/6 13
Potenza (S1-S6) Power (S1-S6)	30/35 kW	30/35 kW
Assorbimento corrente (S1-S6) Current consumption (S1-S6)	59/65 A	59/65 A
Tensione Voltage	380 V	380 V
Coppia (S1-S6) Torque (S1-S6)	47.7/55.7 Nm	47.7/55.7 Nm
Tipologia elettromandrino Type of electrospindle	Asynchronous 4 poles w/inverter	Asynchronous 4 poles w/inverter
Velocità nominale Rated speed	6.000 rpm	6.000 rpm
Velocità massima Max speed	13.000 rpm	13.000 rpm
Attacco utensile Tool holder	HSK 63A	HSK 63A
Raffreddamento Cooling	Liquid	Liquid
Cambio utensile Type of tool changer	Automatic	Automatic
Lubrificazione cuscinetti Grease lubrication	Ceramic Grease lubrication	Ceramic Grease lubrication
Peso Weight	75 Kg	75 Kg

CARATTERISTICHE

	ROBOTECH QM	ROBOTECH QM 3C
	QM-2 30/6 13	QM-2 30/6 13
LAYOUT	LAYOUT HSK 63A 	LAYOUT HSK 63A 3C
VISTA FRONTALE ELETTRO. FRONT VIEW		
EQUIPAGGIAMENTO EQUIPMENT	HSK 63A Labyrinth with air seal Sensors s1, s2, s3, s5 Taper cleaning Single effect pneumatic cylinder Encoder	
OPZIONALI OPTIONS	Rotary union CTS/MQL/Air Tool HSK 80F HSK 85S Temperature, vibration and speed monitoring	

ROBOTECH HX 3C



ROBOTECH HD



ROBOTECH PX



ROBOTECH HT 3C



ROBOTECH QX HS



ROBOTECH HX



ROBOTECH HT



ROBOTECH QM



ROBOTECH PT



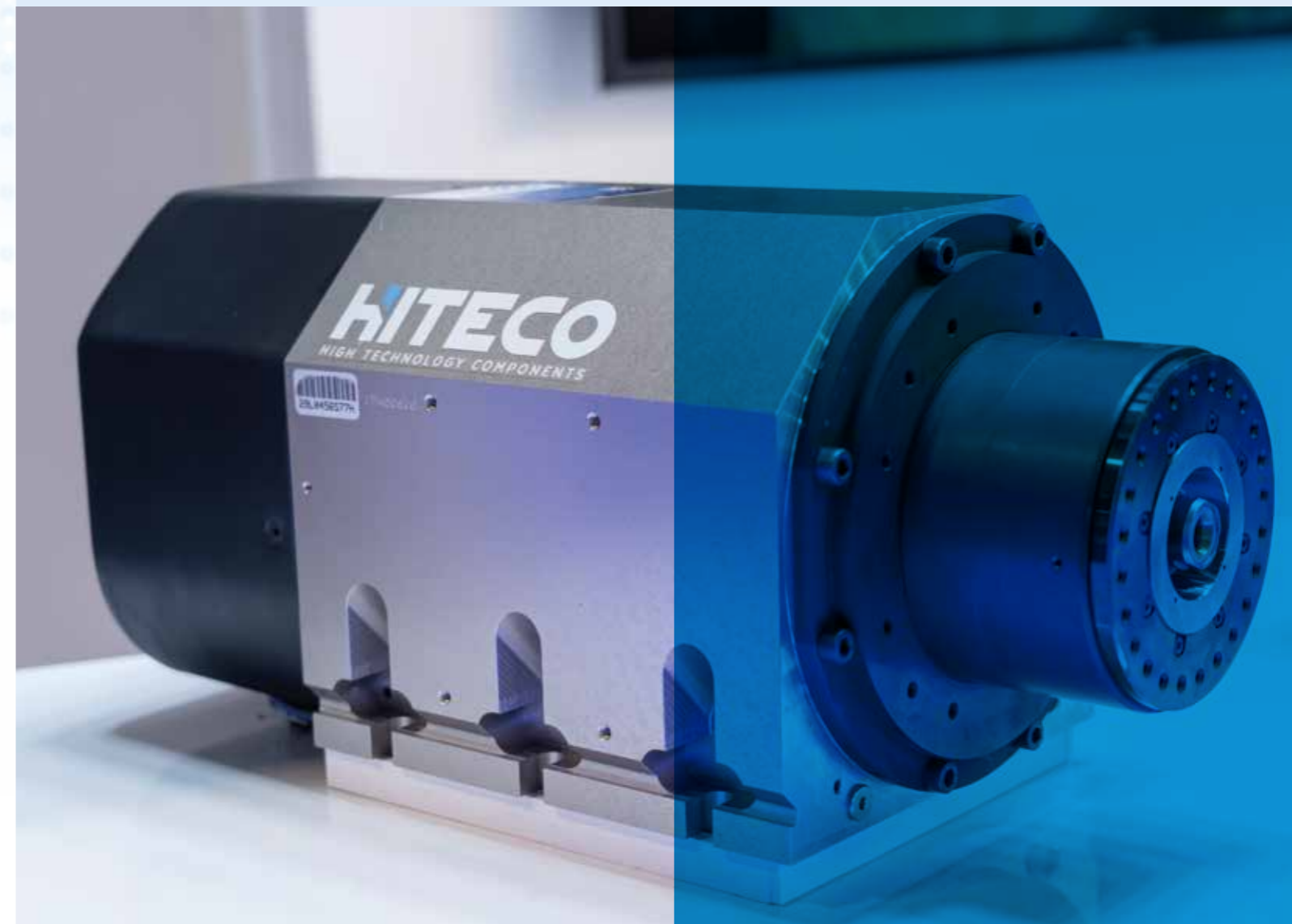
ROBOTECH QX

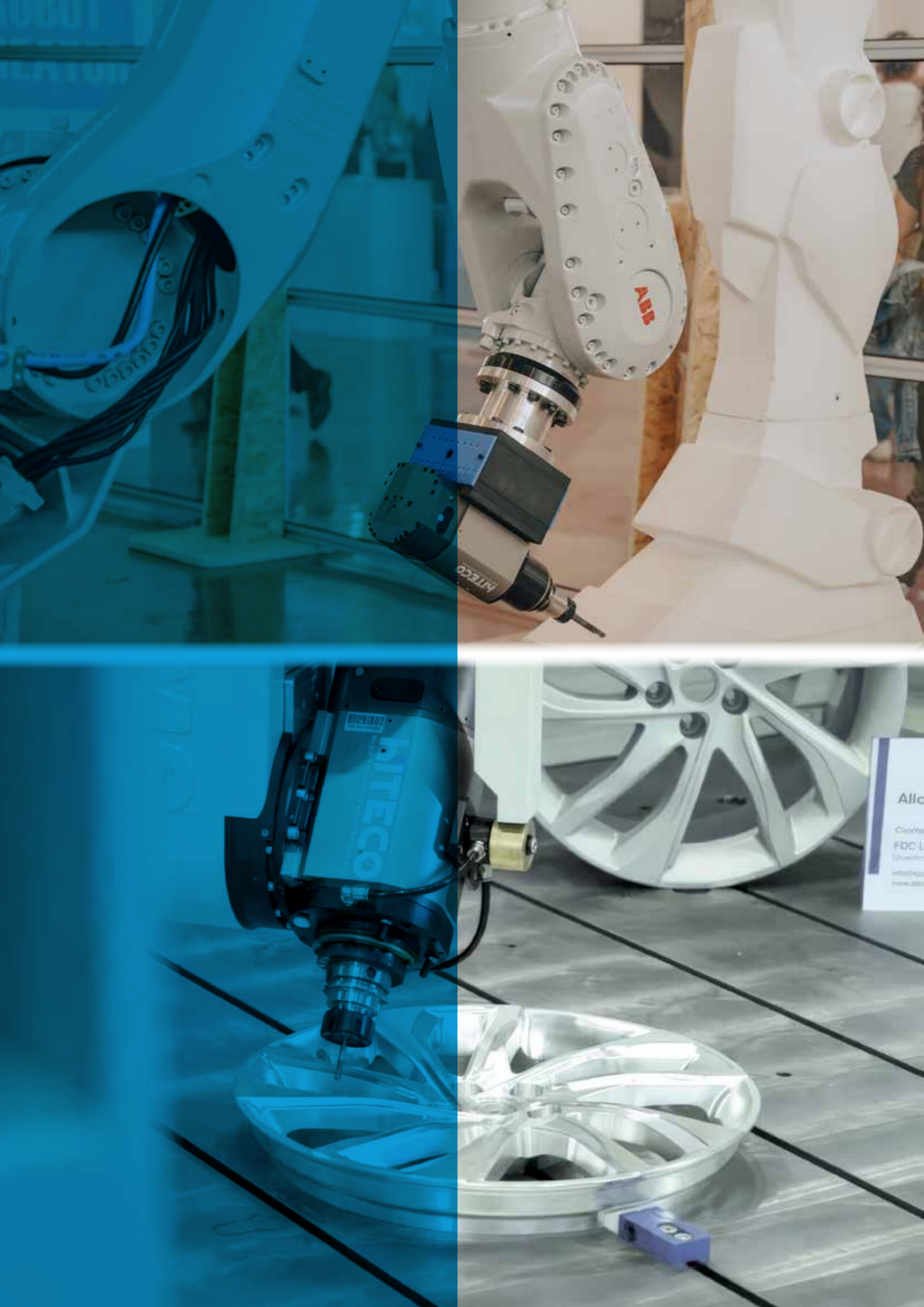


ROBOTECH HT NH



ROBOTECH QM 3C





IDENTIFICAZIONE ELETTROMANDRINI / ELECTROSPINDLE IDENTIFICATION KEY

Example **QE 1F 10/TI 24 63F NC CB EN BT OQ IM**

MODELLO (DIMENSIONE CARCASSA) / MODEL (HOUSING DIMENSION)

QD	102 X 119,5 mm
	110 X 111 mm
QE	130 X 140 mm
QF	150 X 160 mm
QM	215 X 245 mm, 230x230 mm
QX	130 X 130 mm
PX	150 X 150 mm
HX	150 X 150 mm
PT	150 X 150 mm
HT	150 X 150 mm
HD	130 X 130 mm

RAFFREDDAMENTO / COOLING TYPE

1F= ELETTOVENTOLA / ELECTROFAN	
1C= ARIA COMPRESSA / COMPRESSED AIR	
2= LIQUIDO / LIQUID	
1= VENTOLA SU ALBERO / FAN ON SHAFT	

POTENZA NOMINALE (S1) @ VELOCITÀ / RATED POWER (S1) @ SPEED

MAX POTENZA @ VELOCITÀ / MAX POWER @ SPEED

VELOCITÀ MAX / MAX SPEED

ATTACCO UTENSILE / TOOL HOLDER

63F = HSK63F
63F+ = HSK63F PLUS
32E = HSK32E
40E = HSK40E
63E = HSK63E
63E+ = HSK63E PLUS
50F = HSK50F
63A = HSK63A
63A+ = HSK63A PLUS
I30 = ISO30

NASO MANDRINO / SPINDLE NOSE

NC = NASO CORTO / SHORT NOSE
NL = NASO LUNGO / LONG NOSE
NH = HEAVY NOSE

CONNESSIONE ELETTRICA / ELECTRIC CONNECTION

CB = CONNESSIONE BASE / BASIC CONNECTION
CC = CONNESSIONE CIRCOLARE / CIRCULAR CONNECTION
PP = CONNESSIONE RAPIDA / PLUG AND PLAY CONNECTION

ENCODER

ES = ENCODER 1 VPP (SYNUSOIDAL WAVE)
EN = ENCODER TTL (SQUARE WAVE)

VOLTAGGIO / VOLTAGE

BT = BITENSIONE / DUAL VOLTAGE 220V/380V
220 V

OPTIONAL

OQ = OIL MIST + MQL (Minimal Quantity Lubrication)
AT = AIR TOOL
OM = OIL MIST
CTS = LUBRIFICAZIONE CTS / COOLANT THROUGH THE SHAFT

ALTRE VARIANTI / OTHER VARIANTS

SENSORE DI VIBRAZIONE / VIBRATION SENSOR		
MONITORAGGIO TEMPERATURA CUSCINETTI / BEARING TEMPERATURE MONITORING		
MISURATORE DI VELOCITÀ / SPEED MONITORING		
S5 - SENSORE RITORNO PISTONE / PISTON BACK SENSOR		
SENSORE DI TEMPERATURA / TEMPERATURE SENSOR		



via Marechiese, 720 - 47923 Rimini - Italia
tel. +39 0541 674940

www.hiteco.net

